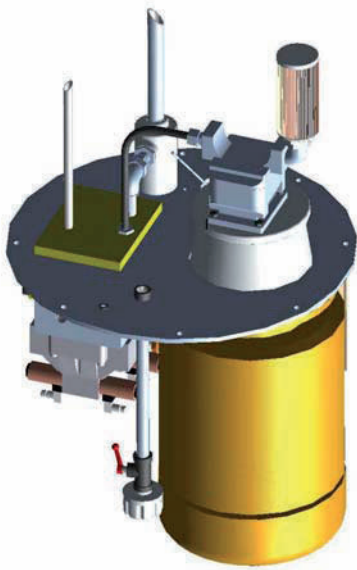


EASY AND QUICK EXCHANGE OF MANIFOLD BLOCKS

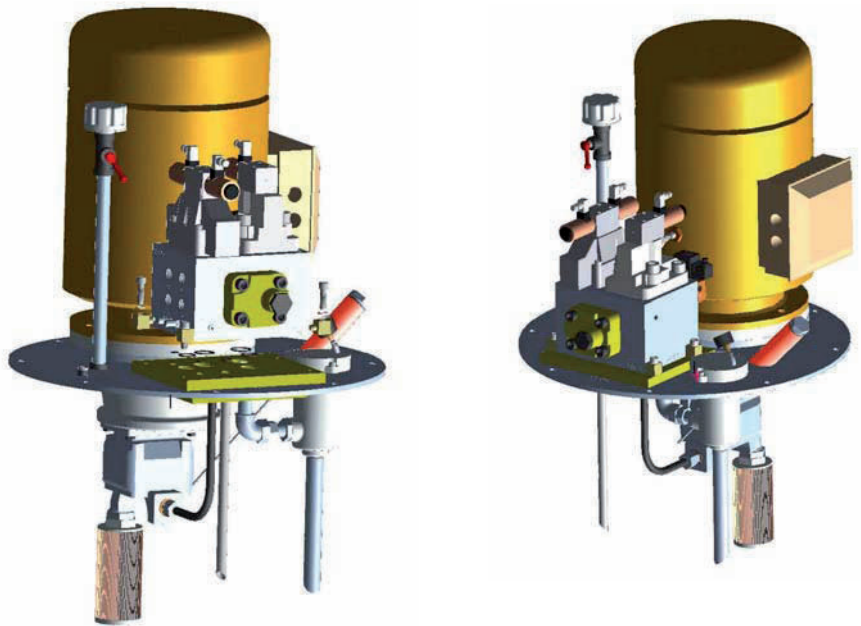
IN THIS COMPACT UNIT ARE INCLUDED IN ALL VALVES OF THE HYDRAULIC CIRCUIT
THE BLOCKS ARE STANDARD AND INTERCHANGEABLE FOR ALL MACHINES

LARGE STOCK OF MANIFOLD BLOCKS AVAILABLE FOR IMMEDIATE DELIVERY

VIEW OF THE HYDRAULIC GROUP
INFERIOR PART

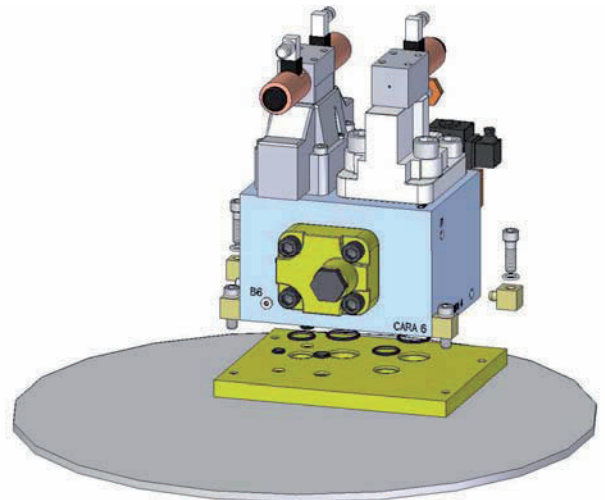
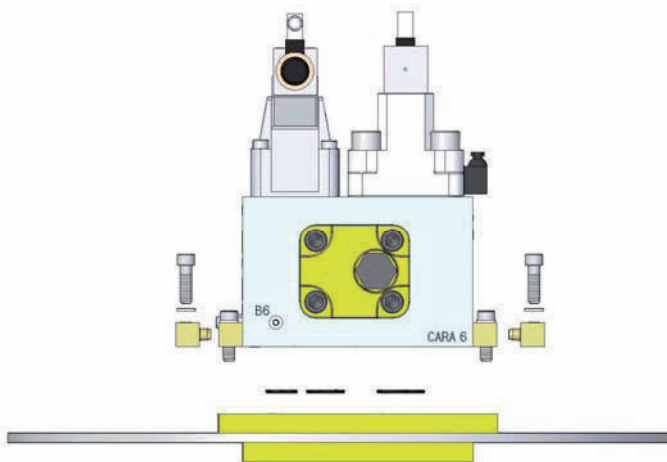


VIEW OF THE HYDRAULIC GROUP
SUPERIOR PART



VIEW OF THE REMOVED BLOCK
WITHOUT TOUCHING ANYTHING INSIDE THE GROUP

LOOSE 4 SCREWS IS ENOUGH TO REPLACE A BLOCK



THIS REMOVABLE BLOCK SYSTEM SIMPLIFIES THE MAINTENANCE AND REPAIR OPERATIONS

NO MACHINE STOP LONGER THAN 15 MINUTES
EXCLUSIVE PATENT DEVELOPMENT AND REGISTERED WORLDWIDE BY STEM M

